

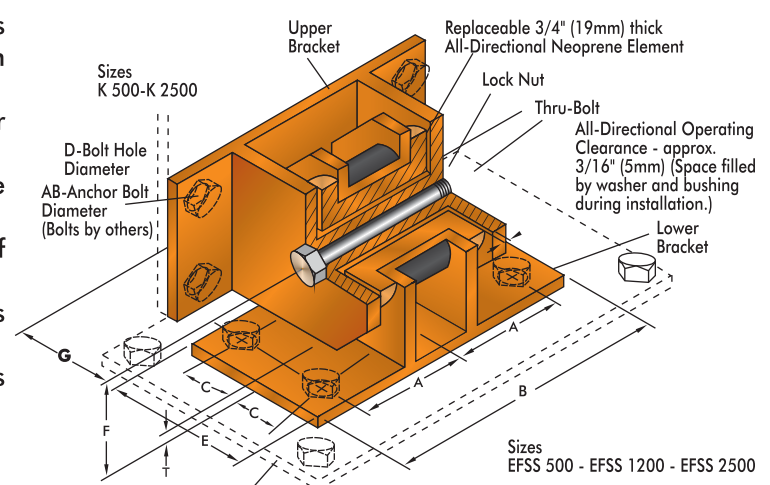
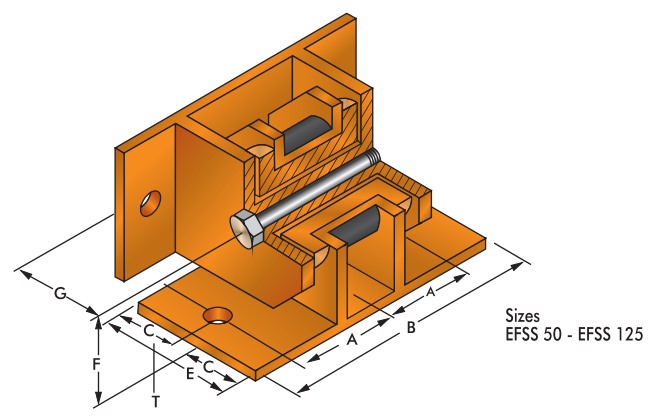


## Features

Fabricated of welded steel components incorporating thick neoprene elastomer pads molded to Bridge Bearing quality specifications, the design of these restraints allows for the removal and replacement of the neoprene elements. These restraints are designed for a minimum of 1.0g accelerated force in all directions. Series EFSS is suitable for loads from 550 lbs to 25300 lbs.

## Installation instructions

1. Snubbers are inactive during normal operation and clearance must be maintained.
2. To maintain clearances around isolation bushing, unit is furnished with spacer washers and a spacer bushing, these to remain in unit during installation only.
3. If snubbers are installed on equipment such as blowers or pumps with flexible connections that move and remain in a different position during operation, final positioning and adjustment of snubbers must be made with equipment in operation.
4. Use shims at brackets as required so that units are installed without applying pressure on spacer washers or bushing.
5. After units are installed, remove spacer washers and bushing as follows:
  - a. Remove lock nut from thru-bolt and remove thru-bolt.
  - b. Remove anchor bolts from one bracket. If bracket was shimmed, note shim position.
  - c. Remove bracket and remove spacer washers and spacer bushing.
  - d. Reinstall bracket and thru-bolt. Shim as before if shims were used.
  - e. Lock thru-bolt in place with jam nut.



When Steel Sole Plates are used, level and anchor Sole Plates properly to concrete. Snubber Baseplate may be bolted or welded to Sole Plate.

**Note :** All Dimensions are in mm unless otherwise specified.

### ALL DIRECTIONAL SNUBBER LOAD RATINGS

Type	Size	1G All Directional Load Ratings.	DIMENSIONS INCHES								
			A	AB	B	C	D	E	F	G	T
EFSS	EFSS 50	550 lbs.	3.11	0.39	7.48	1.28	0.51	2.95	2.99	2.52	0.24
	EFSS 125	1870 lbs.	3.39	0.47	8.27	1.97	0.63	3.94	4.37	4.37	0.39
EFSS	EFSS 500	5500 lbs.	4.92	0.63	11.81	1.97	0.75	5.91	5.00	5.00	0.47
	EFSS 1200	13200 lbs.	5.91	0.98	12.60	2.76	1.14	7.87	5.75	5.75	0.79
	EFSS 2500	25300 lbs.	6.69	1.26	15.75	3.94	1.38	9.84	7.99	7.99	0.98



- Due to policy of continual improvement, the specifications are subject to change without prior notice.
- Measurements are subject to 5% tolerance.
- To achieve good results do not over load fitting.