



Features :

- Large pressure resistance (Bursting pressure, more than 50kg./cm²)
- Effective for large eccentricity thermal and bending angle.
- Superb absorption of vibration / pipe movement & stress.
- Superb resistance to water, heat, weather and chemicals.
- Low-cost installation & operation.
- Reduces system noise.
- Compensates Misalignment / Offset & Eliminates Electrolysis.



Typical Applications :

- Building equipment, piping systems for industrial plants and piping systems for private residences.
- Prevention of disasters due to earthquakes and subsidence of ground.
- Waterworks, sewerage, and sanitary lines (feed-water and drainage)
- FCU'S, AHU'S, Pumps, Chillers, Cooling Towers, Compressors, Blowers, Fans, Absorption Machines, Etc.

Dimensions & Allowable Movement

Model No.	Size (inch)	Length L (inch)	Axial Compression (inch)	Axial Elongation (inch)	Transverse Movement (inch)	Angular Movement Degree
EFTSCU15	0.5	7.48	0.47	0.24	0.47	15°
EFTSCU20	0.75	7.48	0.47	0.24	0.47	15°
EFTSCU25	1	7.48	0.47	0.24	0.47	15°
EFTSCU32	1.25	8	0.47	0.24	0.47	15°
EFTSCU40	1.5	8	0.47	0.24	0.47	15°
EFTSCU50	2	8	0.47	0.24	0.47	15°
EFTSCU65	2.5	8.66	0.47	0.24	0.47	15°

Operating Conditions

Operating Pressure : 16 kg/cm²

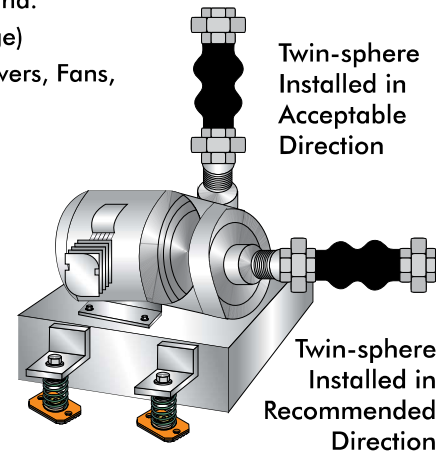
Burst Pressure : 50 kg/cm²

Vacuum Rating : 16" Hg

Temperature : -10°C To 70°C

Fluids : Water, Hot water, sea water, weak Acid, Compressed Air.

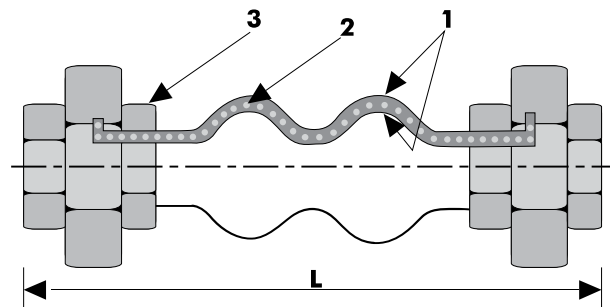
Note : Please specify duty conditions to choose the correct polymer for your application. For higher Operating Conditions Please Contact Our Technical Dept.



Structure

Item	Part	Material
1.	Body	Natural/EPDM/Neoprene
2.	Body	Nylon Tyre Cord
3.	Union	IS / BS Standard

Standard, item employs IS / BS UNION. May be replaced with ANSI, DIN, or other standards.



Compliance - ASTM F 1123-87 (2004). Testing as per Fluid Sealing Association standard FSA-PSJ-701-06.

- Due to policy of continual improvement, the specifications are subject to change without prior notice.
- Measurements are subject to 5% tolerance.
- To achieve good results do not over load fitting more than designed parameters as per drawing / catalogue.
- Compliance - As per FSA Standards USA.