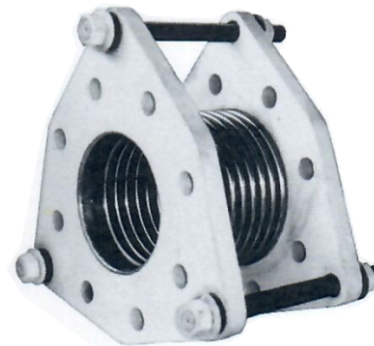
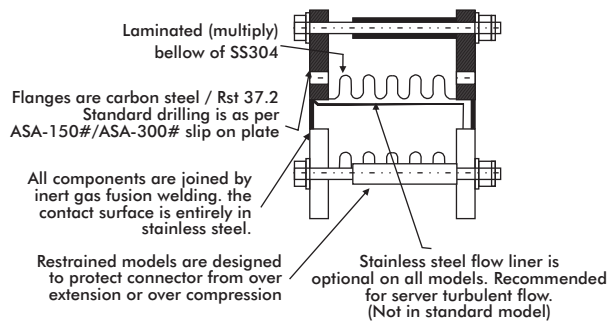




Easyflex Bellows Tied Pump Connectors are an ideal solution when a flexible pipe connector is required in severe service applications.

Often, an application will require a connector to isolate noise and vibration, relieve stresses on equipment, and handle both high-temperatures and axial motion. Rubber connectors will have relatively low-pressure ratings at high temperatures. Braided connectors can offer high pressure/ high-temperature capabilities, but do not offer any axial movement capabilities. Pressure ratings of bellows pump connectors are virtually unaffected by high system temperatures and these special connectors are able to absorb limited amounts of axial travel and lateral offset.

The special design of Easyflex tied pump connectors includes multi-ply stainless steel bellows to provide long life and isolation in high-frequency applications. Three built-on tie rods prevent over-extension in high-pressures and eliminate jobsite installation of rod assemblies. Special rubber grommets are installed on each end of rods so that noise and vibration is not transmitted across the steel rods



Model No.	Overall Length (inch)	Bellows Length (inch)	Flange Thickness (inch)	Mean Effective Area (cm <sup>2</sup> )	Approx Weight (lbs)	Working Pressure (kg)
SSTPC 3"	6	4.72	0.59	56.7	26.4	16
SSTPC 4"	6	4.33	0.79	97.4	35.2	16
SSTPC 5"	6	4.33	0.79	151.6	39.6	16
SSTPC 6"	6	4.33	0.79	214.2	44	16
SSTPC 8"	6	3.94	0.98	382.5	68.2	16
SSTPC 10"	8	5.91	0.98	603.2	118.8	16
SSTPC 12"	8	5.91	0.98	864.5	147.4	16
SSTPC 14"	8	5.51	1.18	1103.2	204.6	10
SSTPC 16"	8	5.51	1.18	1419.3	233.2	10
SSTPC 18"	8	5.51	1.18	1800.0	286	10
SSTPC 20"	8	5.12	1.38	2206.4	312.4	10
SSTPC 24"	8	6.69	1.57	3180.6	380.6	10

### Rated Movements

Axial Compression - 1"

Axial Extension - 0.375"

### Lateral Movements

DN3" TO DN 8" - 0.12"

DN10" TO DN 20" - 0.24"

DN24" - 0.31"

### Compliance - ASTM F1120, EJMA 10

- Material of Standard Exhaust Bellow SA 240 TP 304, SA 240 TP 316/321 also available.
- Material of End Flanges IS 2062 Grade 2 (Carbon Steel)
- For other drilling standard please contact our engineering department.
- For higher pressure rating in bigger sizes overall length will increase and reinforced bellow will be provided
- Compliance - Metallic Bellows designed as EJMA USA 10th Edition.