



The H Frame Kit is a quick and easy solution to support all cable management ducting and pipework.

H Frames are supplied in box form.

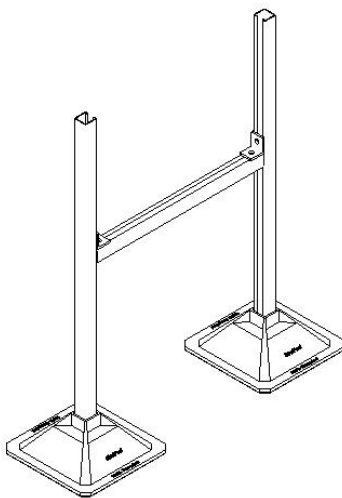
They are designed to use channel which is not supplied. As a module our manufacturing can fabricate the H Frames in house to speed up the process of installation on site.

H Frame Kit Includes

Product	Quantity
Plastic Feet	x 2
Fixing Kit	x 1

Product Information

Part No	Feet Size (inch)	Product Weight (lbs)	Frame S.W.L (lbs)
EF-3305	12	9	672
EF-3500	20	22	1102



- High Density Polyethylene (HDPE)
- Designed to fit channel (not supplied)
- No penetration of waterproof roof membrane
- Anti-vibration pads pre attached to feet
- Off site cutting & delivery service available

Available in 12" & 20"

- S.W.L for R12" - 672lbs
- S.W.L for R20" - 1102lbs

